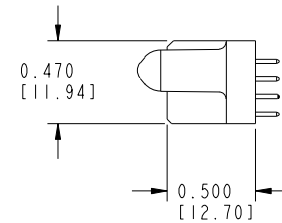
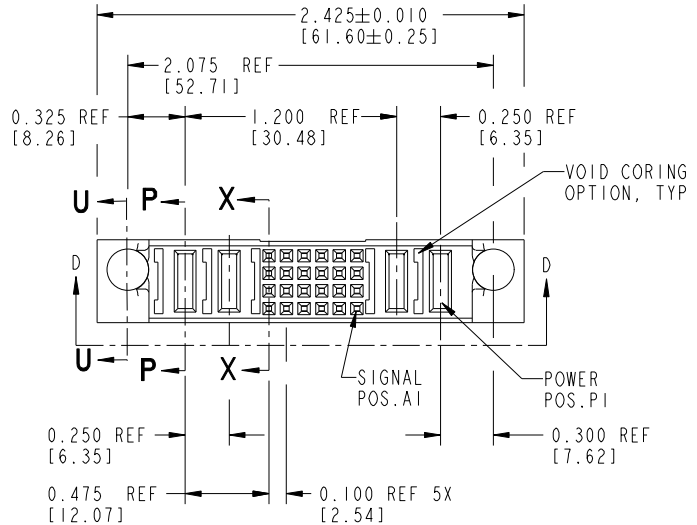
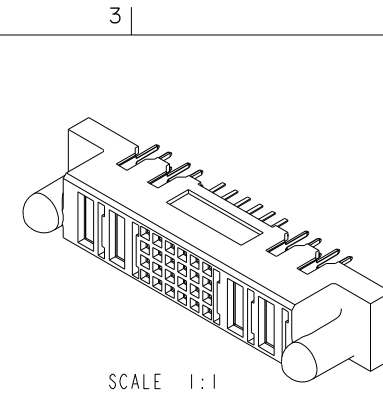
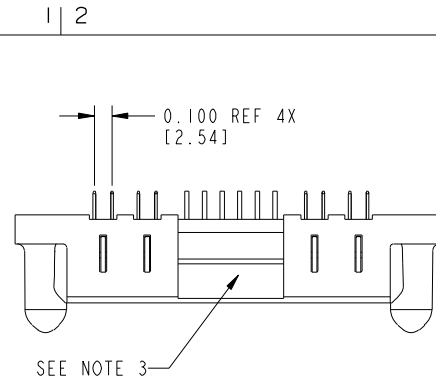


Tous droits strictement reserves. Reproduction ou communication a des tiers interdite sous quelque forme que ce soit sans autorisation écrite du propriétaire. Propriete de c FCI. Droits de reproduction FCI.



All rights strictly reserved. Reproduction or issue to third parties in any form whatever is not permitted without written authority from the proprietor. Property of FCI. Copyright FCI.

PRODUCT NUMBER
51426-001--
NOTE: (2)



THIS FILE WAS ORIGINALLY CREATED IN THE PRO ENGINEER ENVIRONMENT AND ANY FUTURE REVISIONS TO THIS FILE MUST BE MADE IN THE PRO ENGINEER ENVIRONMENT

mat'l code				SEE NOTES		tolerances unless otherwise specified		CUSTOMER COPY		FCI www.fciconnect.com		
ltr	ecn no.	dr	date	linear	.XX ±.01/.X ±.3		projection		title			
A	V91744	SAR	02/17/00		.XXX ±.005/.XX ±.13				2P + 24S + 2P VERTICAL SOLDER RECEPTACLE			
B	V01583	EKK	07-12-00	angles	.XXX ±.0020/.XXX ±.051			IN/MM	product family		code	
C	DG05-0238	SJ	07/24/05		0° ± 2°				PwrBlade		213	
D	DG06-0373	LJC	09/05/06	dr	LEV4	01-18-99	scale 1:1	A	size		sheet	
				enr	J. BROWN	01-29-99			dwg no		51426	1 of 4
				chr	J. BROWN	01-18-99						
				appd	J. BROWN	02-17-00						
sheet index	revision sheet	D	D	D	D	D						
		1	2	3	4							

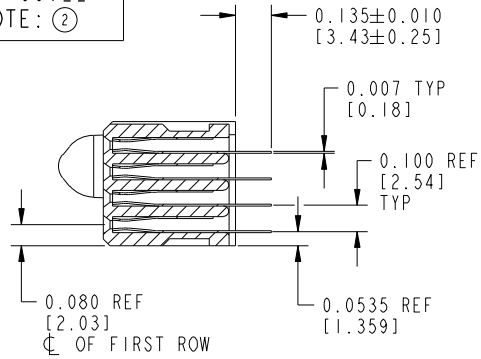
cage code 22526

Pro/E

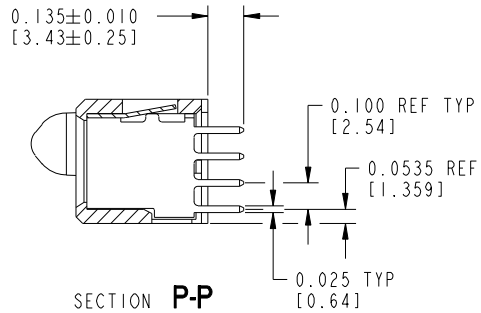
Tous droits strictement réservés. Reproduction ou communication à des tiers interdite sous quelque forme que ce soit sans autorisation écrite du propriétaire. Propriété de c.FCI. Droits de reproduction FCI.

All rights strictly reserved. Reproduction or issue to third parties in any form whatever is not permitted without written authority from the proprietor. Property of FCI. Copyright FCI.

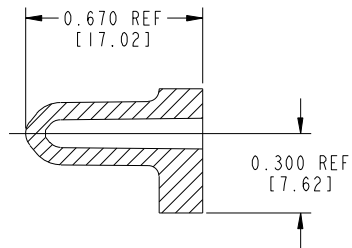
PRODUCT NUMBER
51426-001--
NOTE: ②



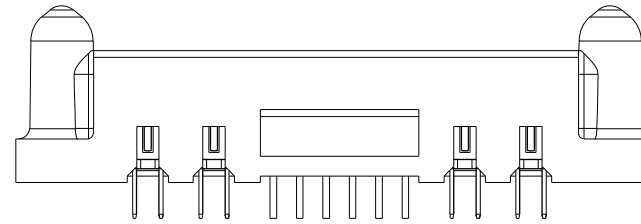
SECTION X-X



SECTION P-P



SECTION U-U



VIEW D-D

mat'l code				tolerances unless otherwise specified		CUSTOMER COPY		FCI www.fciconnect.com	
ltr	ecn no.	dr	date	linear	.XX ±.01/.X ±.3	projection		title	
D					.XXX ±.005/.XX ±.13			2P + 24S + 2P VERTICAL SOLDER RECEPTACLE	
				angles	.XXX ±.0020/.XXX ±.051			product family	PwrBlade
				dr	LEV4	01-18-99	IN/MM	size	213
				enr	J. BROWN	01-29-99	scale	dwg no	2 of 4
				chr	J. BROWN	01-18-99		3:2	51426
				appd	J. BROWN	02-17-00			2 of 4
sheet index	revision sheet								

cage code 22526

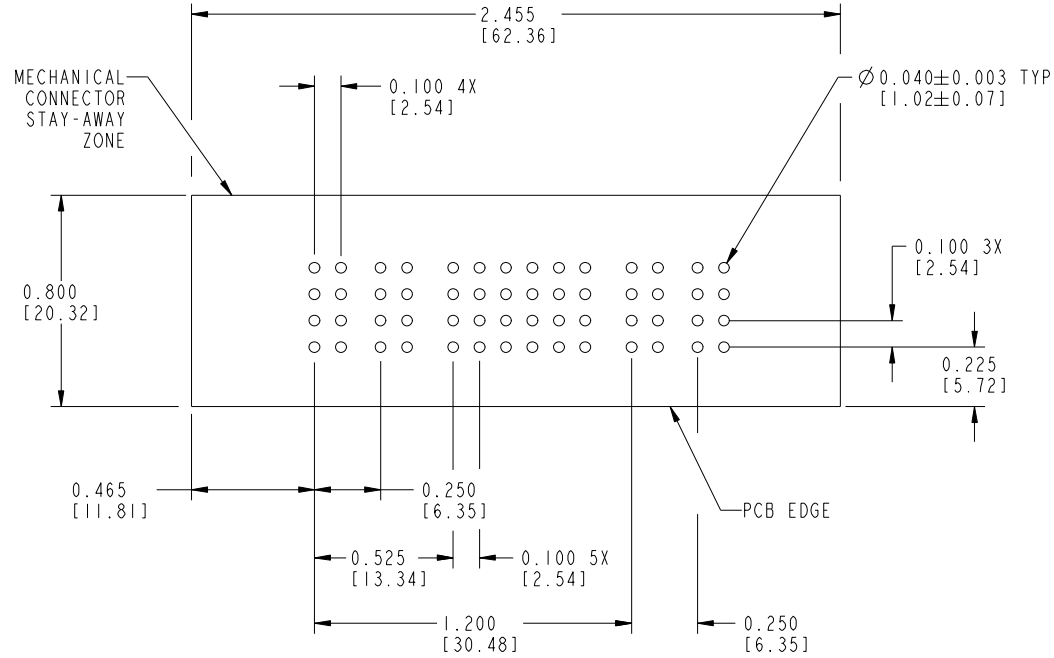
Pro/E

Tous droits strictement réservés. Reproduction ou communication à des tiers interdite sous quelque forme que ce soit sans autorisation écrite du propriétaire. Propriété de c.FCI. Droits de reproduction FCI.



All rights strictly reserved. Reproduction or issue to third parties in any form whatever is not permitted without written authority from the proprietor. Property of FCI. Copyright FCI.

PRODUCT NUMBER
51426-001--
NOTE: ②



RECOMMENDED PCB LAYOUT

mat'l code		-		tolerances unless otherwise specified		CUSTOMER COPY		www.fciconnect.com	
ltr	ecn no.	dr	date	linear	.XX ±.01/.X ±.3	projection		title	
D					.XXX ±.005/.XX ±.13			2P + 24S + 2P VERTICAL SOLDER RECEPTACLE	
				angles	.XXX ±.0020/.XXX ±.051		product family	PwrBlade	code
				dr	0° ± 2°	size	dwg no	51426	
				enr	LEV4 01-18-99	scale	1:1		sheet
				chr	J. BROWN 01-29-99				3 of 4
				appd	J. BROWN 02-17-00				
sheet index	revision sheet								

cage code 22526

Pro/E

All rights strictly reserved. Reproduction or issue to third parties in any form whatever is not permitted without written authority from the proprietor. Property of FCI. Copyright FCI.



Tous droits strictement reserves. Reproduction ou communication a des tiers interdite sous quelque forme que ce soit sans autorisation écrite du propriétaire. Propriete de c FCI. Droits de reproduction FCI.

PRODUCT NUMBER
51426-001--
NOTE: ②

CONNECTOR NOTES:

- ① HOUSING MATERIAL: GLASS FILLED HIGH TEMP THERMOPLASTIC, UL94V-0
SIGNAL CONTACT MATERIAL: COPPER ALLOY
POWER CONTACT MATERIAL: COPPER ALLOY
- ② 51426-001; 51426-001LF; 51426-001GLF PLATING SPEC. SEE PRINT: 10064183
3. MANUFACTURER NAME, P/N, AND DATE CODE TO APPEAR ON THIS SURFACE.

PCB NOTES:

4. ALL DIMENSIONS ARE BASIC UNLESS OTHERWISE SPECIFIED
5. ALL THROUGH HOLES ARE LOCATED WITH A TRUE POSITION OF 0.004"
6. ALL DIAMETERS ARE FINISHED HOLE SIZES
7. $\varnothing 0.0453/1.151$ DRILLED HOLES: PLATED WITH 0.0003/0.007 MIN. SnPb OR Sn OVER 0.001/1.03 TO 0.003/0.08 Cu PLATING TO ACHIEVE A $\varnothing 0.040 \pm 0.003/1.02 \pm 0.07$ HOLE

mat'l code				tolerances unless otherwise specified		CUSTOMER COPY		www.fciconnect.com	
ltr	ecr no.	dr	date	linear	.XX ± .01 / .X ± .3		projection	title	
D					.XXX ± .005 / .XX ± .13			2P + 24S + 2P VERTICAL SOLDER RECEPTACLE	
				angles	.XXX ± .0020 / .XXX ± .051			product family	
					0° ± 2°			PRODUCT_FAMILY: 3	
				dr	LEV4	01-18-99	IN/MM		size
				enr	PROD_ENG: 3	DATE_ENGR: 3	scale		dwg no
				chr	J. BROWN	01-18-99	scale: 3		51426
				appd	J. BROWN	02-17-00	A		213
sheet index		revision sheet							4 of 4

cage code 22526

Pro/E